

Connectors for Samsung Electronics' RU

5G Optic Jump Cable Ass’y Kit ----- 03
[TAP-CA-Series]

5G Alarm Cable Ass’y Kit ----- 05
TAP-CA-Series

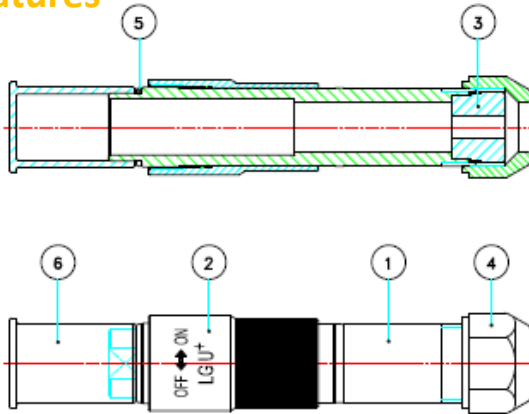
5G Power Cable Ass’y Kit ----- 07
TAP-CA-Series

TAP-CA-Series

Product Description

- TAP- CA-Series is a robust outdoor-rated connector ass'y designed for FTTA networks in 5G, where it serves as a optical jump cable LC type outdoor cable.
- TAP- CA-Series allows for quick and easy installation onto either optical jump cable LC type.
- It can be field assembled over previously deployed optical duplex LC.
- Field installable

Features



	Description	Material	Q'ty
1	Body	Al	1
2	Locking Nut	Al	1
3	Seal	Rubber	1
4	Sealing Nut	Plastic	1
5	O-Ring	Rubber	1
6	Plug	Rubber	1

Optic cable Feature

- Fiber Spec. : ITU-T G.657.B3 (SM, MFD $\geq \Phi 8.2\mu\text{m}$)
- Cable Spec. :
 - Cable Diameter : $\Phi 6.5 \pm 0.2\text{mm}$
 - No. of Fiber : 2F
 - Strength Member : Aramid Yarn
 - Sheath : LSZH
 - OJC Function : DLC/PC-DLC/UPC (Small Cable : $\Phi 3.0$)

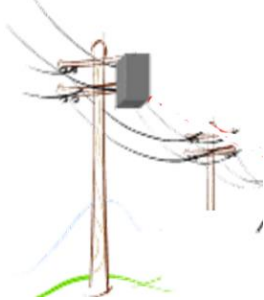


Side A Side B

Side A	Side B
A port(Red)	B port(Red Tx)
B port(Blue)	A port(Blue Rx)

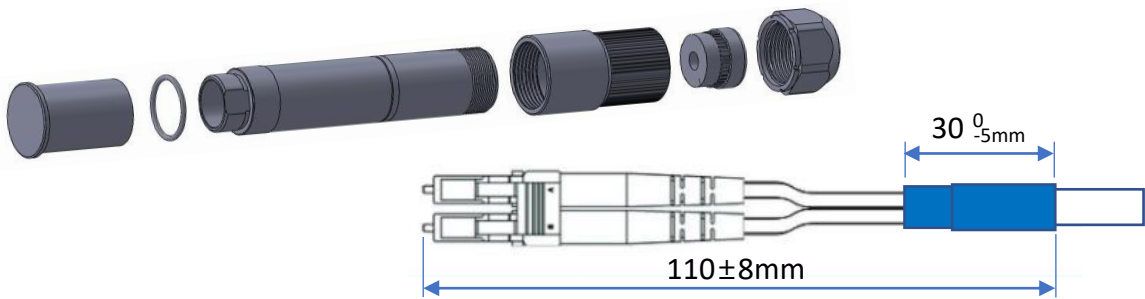
TAP-CA-Series

Specification



- Material : Aluminum alloy
- Operating Temperature : -40 ~ +75°C
- Protection class : IP67
- Tensile Load : 200N
- Durability : >200cycles
- Cable Diameter : $\Phi 6.5 \pm 0.2\text{mm}$
- RoHS Compliant

Cable Ass'y Option for RU(Tranceiver Applications)



Physical Property

Parameter	Test	Spec.
Optical	Insertion Loss	IEC 61300-3-4
	Return Loss	IEC 61300-3-6
Mechanical	Proof	IEC 61300-2-5
	Vibration	IEC 61300-2-1
	Impact	IEC 61300-2-9
	Durability	IEC 61300-2-2
	Retention Force	IEC 61300-2-4
Environmental	Water Proof Protection	IEC 60529
	Temperature Cycling	IEC 61300-2-22
	Salt Mist.	IEC 61300-2-26

Ordering Information

TAP-CA-Series

1

2

A: Main Entry
B: Connector type

G: Gland Entry
N: LC(PC)

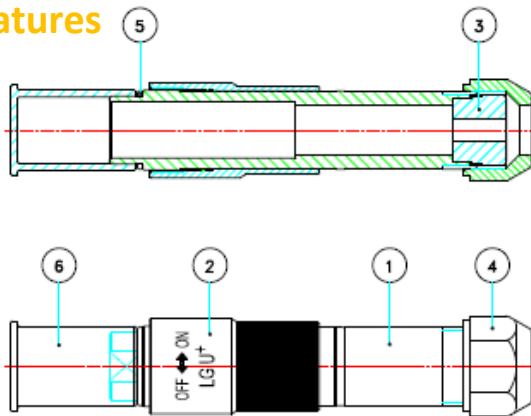
/ M: Loop Through Entry
/ U: LC(UPC)

TAP-CB-Series

Product Description

- TAP- CB-Series is a robust outdoor-rated connector ass’y designed for FTTA networks in 5G, where it serves as a Alarm copper cable RJ45 type outdoor cable.
- TAP- CB-Series allows for quick and easy installation onto either Alarm copper cable RJ45 type.
- It can be field assembled over previously deployed Alarm RJ45-to-RJ45 Ass’y
- Field installable

Features



	Description	Material	Q'ty
1	Body	Al	1
2	Locking Nut	Al	1
3	Seal	Rubber	1
4	Sealing Nut	Plastic	1
5	O-Ring	Rubber	1
6	Plug	Rubber	1

Alarm cable Feature

- Type : Cat.5e SFTP RJ45-RJ45 Patch Cord
- Connector Spec. :
 - Connect End A & Pin Count : RJ45, 8Pin
 - Connect End B & Pin Count : RJ45, 8Pin
 - Gender : Male/Male
- Lan Cable Spec. :
 - Cable Diameter : $\Phi 6.5 \pm 0.2\text{mm}$
 - No. of Conductors : 8
 - Wire Gauge : 24AWG
 - Color : Black
 - Sheath : PUR



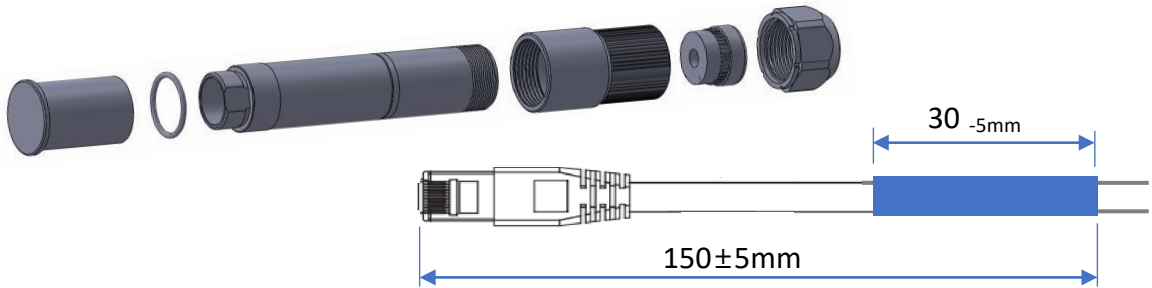
TAP-CB-Series

Specification



- Material : Aluminum alloy
- Operating Temperature : -40 ~ +75°C
- Protection class : IP67
- Tensile Load : 200N
- Durability : >200cycles
- Cable Diameter : $\Phi 6.5 \pm 0.2\text{mm}$
- RoHS Compliant

Cable Ass'y Option for RU(Tranceiver Applications)



Physical Property

Parameter	Test	Spec.
Copper	Conductor Resistance	IEC
	Impedence	IEC
Mechanical	Proof	IEC 61300-2-5
	Vibration	IEC 61300-2-1
	Impact	IEC 61300-2-9
	Durability	IEC 61300-2-2
Environmental	Retention Force	IEC 61300-2-4
	Water Proof Protection	IEC 60529
	Temperature Cycling	IEC 61300-2-22
	Salt Mist.	IEC 61300-2-26

Oredering Information

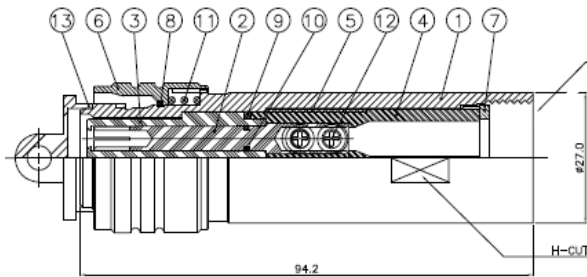
TAP-CB-Seires	1	2
A: Main Entry	G: Gland Entry	/ M: Loop Through Entry
B: Connector type	N: RJ45	/ S: D-sub

TAP-CC-Series

Product Description

- TAP- CC-Series is a robust outdoor-rated connector ass'y designed for FTTH networks in 5G, where it serves as a power jump cable in Bayonet plug.
- TAP- CC-Series allows for quick and easy installation onto either power jump cable.
- It can be field assembled over previously deployed DC power plug.
- Field installable, easy, simple

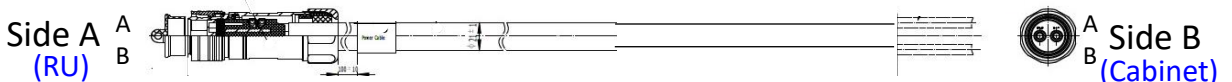
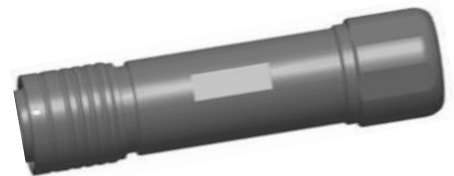
Features



	Description	Material	Q'ty
1	Body	Al	1
2	Pin	C3604	2
3	Insulator(A)	PTFE	1
4	Insulator(B)	PTFE	1
5	Insulator(C)	PTFE	1
6	Coupling Cap	Al	1
7	Insert	C3604	1
8	C-ring	SUS	1
9	O-Ring(A)	Silicon	1
10	O-Ring(B)	Silicon	1
11	Spring	SUS	1
12	Bolt	SUS	1
13	Cap	NBR	1

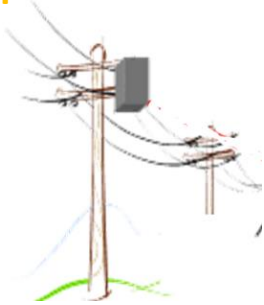
Power cable Feature

- Type : Power cable 2C, DC 55A connector
- Connector Spec. :
 - Connect End A & Pin Count : 2C x 4, 6, 10SQ
 - Connect End B & Pin Count : None, 2 x 4, 6, 10SQ
 - Gender : Male/None
- Power Cable Spec. :
 - Cable Diameter : $\Phi 15 \pm 0.2\text{mm}$
 - Insulation : XLPE
 - No. of Conductors : 2
 - Wire Gauge : 4SQ(5m~10m), 6SQ(15m), 10SQ(20m~50m)
 - Color : Black
 - Sheath : PVC



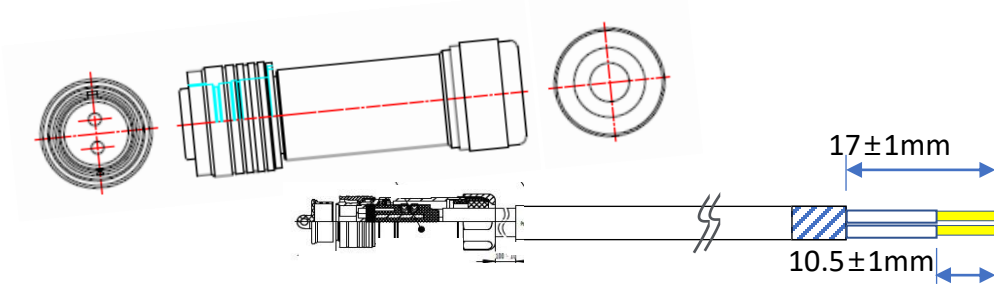
TAP-CC-Series

Specification



- Material : Aluminum alloy
- Continuous Operating Current : 55A Max.
- Operating Voltage : 60V DC
- Operating Temperature : -40 ~ +80°C
- Protection class : IP67
- Cable Diameter : $\Phi 15\text{mm}$
- Connect Type : Push-Pull, Screw
- Salt Spary : 240 Hours

Cable Ass'y Option for RU(Tranceiver Applications)



Physical Property

Parameter	Test	Spec.
Copper	Conductor Resistance	ASTM B3, B8
	Impedence	ASTM B3, B8
Insulation Power Cable	Thermoplastic	UL 83
	Flame	UL 1685
Mechanical	Proof	IEC 61300-2-5
	Crush	IEC 60794-1-2 E3
	Impact	IEC 60794-1-2-E4
	Torsion	IEC IEC 60794-1-2 E7
	Stress strain	IEC IEC 60794-1-2 E1
Environmental	Water Proof Protection	IEC 60529
	Temperature Cycling	IEC 61300-2-22
	Salt Mist.	IEC 61300-2-26

Ordering Information

TAP-CA-Seires	1	2
A: Main Entry	G: Gland Entry	/ M: Loop Through Entry
B: Connector type	N: Bayonet	/ Screw