
HESS 5kW

セル 3.2V 100Ah / モジュール 51.2V 100Ah
(16S)

家庭用蓄電池

モジュール 規格 [5kW]

Battery 規格

Items	Specification
Nominal Capacity	100Ah @0.2C, 25°C
Nominal Voltage	51.2 VDC
Rated Charge Voltage	56.8 V
Max. Continuous Charge Current	100A@25° C
Discharge Cut-Off Voltage	43.2 V
Max. Continuous Discharge Current	100A@25° C
Temperature Range of Charge	0° C - 55° C
Temperature Range of Discharge	-20° C - 60° C
Allowed Humidity Range	5% - 95% RH
Weight	Approx. 42Kg
Dimension(W*H*D)	650*168*560mm (Outer Case)



Inverter 規格

- 優れた効率** 最大効率性 97.6% (EU基準97.3%)
最大 充/放電 電流 100A
合理的なエネルギー制御を通じ高い使用効率実現
- 高い信頼性** BMS(バッテリー管理システム)を採用し性能管理可能
自然冷却設計
- 知能型メンテナンス** 遠隔環境設定およびアップグレード可能

モジュール 規格 [5kW]

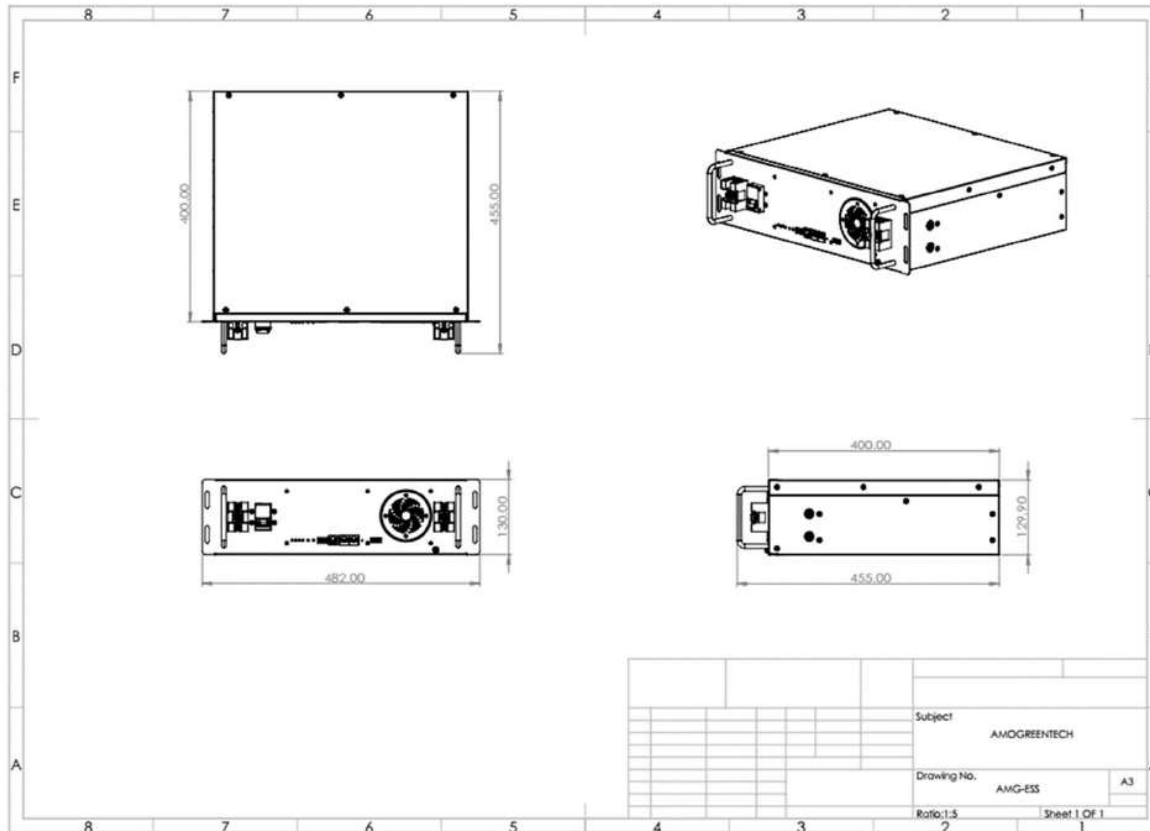
Inverter 規格

Model	HESS-3000-5KS-IN60	
Efficiency		
Max. Efficiency(PV to Grid)	97.6%	
European Efficiency	97.3%	
Max. Efficiency(Battery to Load)	97.6%	
Input (PV)		
Max. Input Voltage	580V	
Rated Input Voltage	360V	
Max. Input Current	11A	
Max. Short Circuit Current	12A	
Start Input Voltage	125V	
MPPT Operating Voltage Range	125V-550V	
Max. Number of PV Strings	2	
No. of MPPTs	2	
Input(Battery)		
Battery Type	Lithium-ion/Lead-Acid	
Nominal Battery Voltage	48V	
Battery Voltage Range	40-58V	
Max. Charge/Discharge Current	70A	100A
Lithium-ion Battery Charge Curve	Self-adaption to BMS	
Lead-Acid Battery Charge Curve	3 stages	
Output(Grid)		
Rated AC Active Power	5000W	
Max. AC Active power	5500W	
Rated AC Voltage	220V/230V	
AC Voltage Range ^①	179.7V-262.8V(AU Grid Code)	
Rated Grid Frequency	50Hz/60Hz	
Grid Frequency Range ^②	50Hz/60Hz ± 5%	
Max. AC Current Output to Utility Grid (A)	22.8A	
THDI	<3%(Rated Power)	
Power Factor	Adjustable 0.8 Leading - 0.8Lagging	

Output(EPS)	
Nominal Output Power	4600VA
Nominal Output Voltage	220V
Nominal Output Frequency	50Hz/60Hz
THDV	<3% @100% R Load
Switching Time(Typical)	<20ms
Protection	
DC switch	Support
Anti-islanding protection	Support
AC overcurrent protection	Support
AC short circuit protection	Support
DC reverse connection	Support
Surge Arrester	AC Type III, DC Type III(optional)
Insulation detection	Support
Leakage current protection	Support
Anti-islanding protection	Support
General	
Topology	High Frequency Isolation
IP Rating	IP65
Cooling	Natural cooling
Operating Temperature Range	-25°C-60°C
Relative Humidity Range	0-100%
Max. Operating Altitude	2000m
Noise(Typical)	<30dB
Dimensions (W*H*D)	650*168*560mm(Outer Case)
Weight	25Kg
HMI & COM	
Display	LED&APP
Communication	RS485,CAN, WIFI/GPRS/4G(optional)
Certification	
Safety	IEC62109-1&2, IEC62040-1
Grid Code	AS/NZS 4777.2:2015, IEC 61727/62116, VDE4105-AR-N, EN 50549
Warranty	5 Years/10 Years(Optional)

システム 規格 [5kW]

Drawing - モジュール



Rendering

